

PRODUCT FACT SHEET

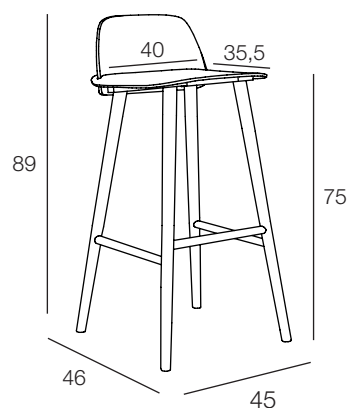
NERD BAR STOOL FURNITURE / LIGHTING / ACCESSORIES

David Geckeler on the design "The Danish simplicity and the iconic expression are combined with a classic perception of a solid bar stool. The shape of Nerd barstool invites the user to sit on the stool from several angles, helped by the soft, curvy plywood shell. The low backrest of the bar stool gives a pleasant support and comfort."

| | |
|------------------------------|---|
| PROCESS | Veneer is form-pressed into shape for the back and seat, and then glued together with the solid wood legs. Then lacquered. |
| DESIGNED BY / YEAR OF DESIGN | David Geckeler / 2013 |
| TYPE | Bar Stool |
| DESCRIPTION | A modern and distinct all-wood bar stool, for private and professional interiors. Available in 8 finishes. A part of the iconic Muuto award winning Nerd chair family. |
| ENVIRONMENT | Indoor |
| DIMENSIONS (CM) | <u>Low:</u> Height: 79 Seat height: 65 Width: 40 Seat width: 40 Depth: 42 Seat depth: 35,5 <u>High:</u> Height: 89 Seat height: 75 Width: 45 Seat width: 40 Depth: 46 Seat depth: 35,5 |
| MATERIAL | Lacquered ash or oak wood, felt pads. Wood is PU lacquered. |
| TESTS & CERTIFICATIONS | The Danish Technological Institute - EN 16139:2013 L1. Tested to withstand level 2: Extreme use. Tested to withstand use in areas where the furniture is occasionally subject to extremely high loads. i.e. Nightclubs, railway stations, transport terminals. |
| COLOUR / REFERENCE CODE | Oak, black, dark green, grey, petroleum, red, rose |
| CLEANING INSTRUCTIONS | Use moist cloth first, then dry cloth. |
| SPARE PARTS | Comes with standard glides. Protective footrest cover available for both sizes of the nerd barstool. |
| ABOUT THE DESIGNER | David Geckeler studied industrial design in Berlin and Copenhagen. Currently, he is exploring the wider area of industrial design, focusing on furniture, interior, tableware & lighting. His chair design "Nerd" was honored by Becker International Design Award 2011 and is the winner of Muuto Talent Award 2012. |



HIGH



LOW

